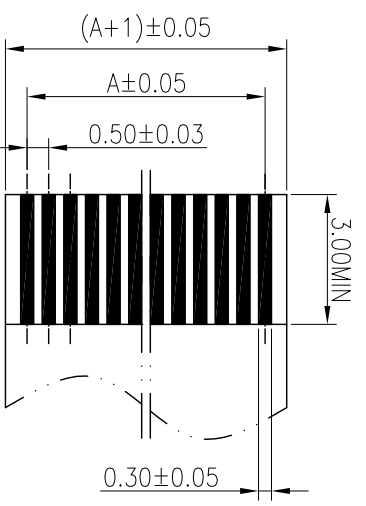
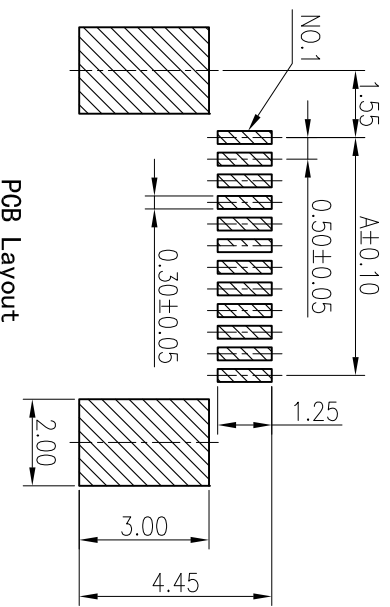
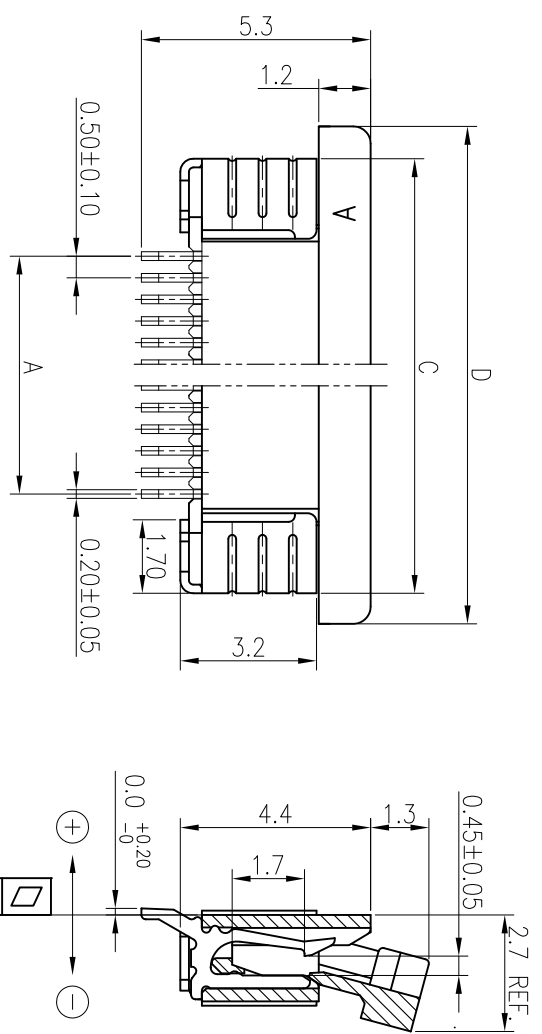
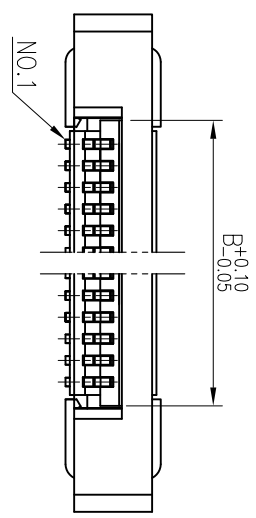


REV	ECN No.	DESCRIPTION	DATE
A	ECN.	RELEASE	2010-7-12



RECOMMENDED FPC SPEC
THICKNESS=0.3±0.02mm

PCB Layout

- 备注:
- 电气性能:
 - 额定电流: 0.5A
 - 额定电压: 50V
 - 耐压: 200V
 - 接触电阻: 30mΩ
 - 绝缘电阻: 500MΩ
 - 工作温度: -25℃~+85℃
 - 环境管控:

3-1. 禁止使用含有SS-00259所限制的物质。
3-2. 对应第三方测试机构出具的ICP-AES数据和不可测定物质的成分表, 在一年有效期内。

ITEM	COMPONENT	QTY	MATERIAL	FINISH	DIMENSIONS			
					A	B	C	D
4	PAD	2 PSS	COPPER ALLOY	Ni:30u"~100u",SN:80u"~200u"	1.50	2.40	6.00	7.50
3	CONTACT	n PSS	COPPER ALLOY	Ni:30u"~100u",Au:Gold-Flash	2.00	3.10	6.50	8.00
2	COVER	1 PSS	THERMOPLASTIC	UL 94V-0,COLOR:BLACK	2.50	3.40	7.00	8.50
1	HOUSING	1 PSS	THERMOPLASTIC	UL 94V-0,COLOR:NATURE	3.00	4.10	7.50	9.00
1					3.50	4.40	8.00	9.50
9					4.00	5.10	8.50	10.00
10					4.50	5.40	9.00	10.50
11					5.00	6.10	9.50	11.00
12					5.50	6.40	10.00	11.50
13					6.00	7.10	10.50	12.00
14					6.50	7.40	11.00	12.50
15					7.00	8.10	11.50	13.00
16					7.50	8.40	12.00	13.50
17					8.00	9.10	12.50	14.00
18					8.50	9.40	13.00	14.50
19					9.00	10.10	13.50	15.00
20					9.50	10.40	14.00	15.50
21					10.00	11.10	14.50	16.00
22					10.50	11.40	15.00	16.50
23					11.00	12.10	15.50	17.00
24					11.50	12.40	16.00	17.50
25					12.00	13.10	16.50	18.00
26					12.50	13.40	17.00	18.50
27					13.00	14.10	17.50	19.00
28					13.50	14.40	18.00	19.50
29					14.00	15.10	18.50	20.00
30					14.50	15.40	19.00	20.50
31					15.00	16.10	19.50	21.00
32					15.50	16.40	20.00	21.50
33					16.00	17.10	20.50	22.00
34					16.50	17.40	21.00	22.50
35					17.00	18.10	21.50	23.00
36					17.50	18.40	22.00	23.50
37					18.00	19.10	22.50	24.00
38					18.50	19.40	23.00	24.50
39					19.00	20.10	23.50	25.00
40					19.50	20.40	24.00	25.50
41					20.00	21.10	24.50	26.00
42					20.50	21.40	25.00	26.50
43					21.00	22.10	25.50	27.00
44					21.50	22.40	26.00	27.50
45					22.00	23.10	26.50	28.00
46					22.50	23.40	27.00	28.50
47					23.00	24.10	27.50	29.00
48					23.50	24.40	28.00	29.50
49					24.00	25.10	28.50	30.00
50					24.50	25.40	29.00	30.50
51					25.00	26.10	29.50	31.00
52					25.50	26.40	30.00	31.50
53					26.00	27.10	30.50	32.00
54					26.50	27.40	31.00	32.50
55					27.00	28.10	31.50	33.00
56					27.50	28.40	32.00	33.50
57					28.00	29.10	32.50	34.00
58					28.50	29.40	33.00	34.50
59					29.00	30.10	33.50	35.00
60					29.50	30.40	34.00	35.50

深圳市德全盛电子科技有限公司				TITLE: ASSEMBLY	
SHENZHEN CITY DEQUANGSHENG ELECTRONIC TECHNOLOGY CO.,LTD.				0.30MMFFC	
PART NO.: 0.5S-1X-NPWB				SCALE	
DWG NO.:				SCALE	
X.±0.5		USE: CUSTOMER		SHEET	
X.±0.3		APPD: YAHVEH		SHEET	
.XX±0.2		CHKD: YEWENJY			
---		DR: CUIRONG			
UNITS: mm					