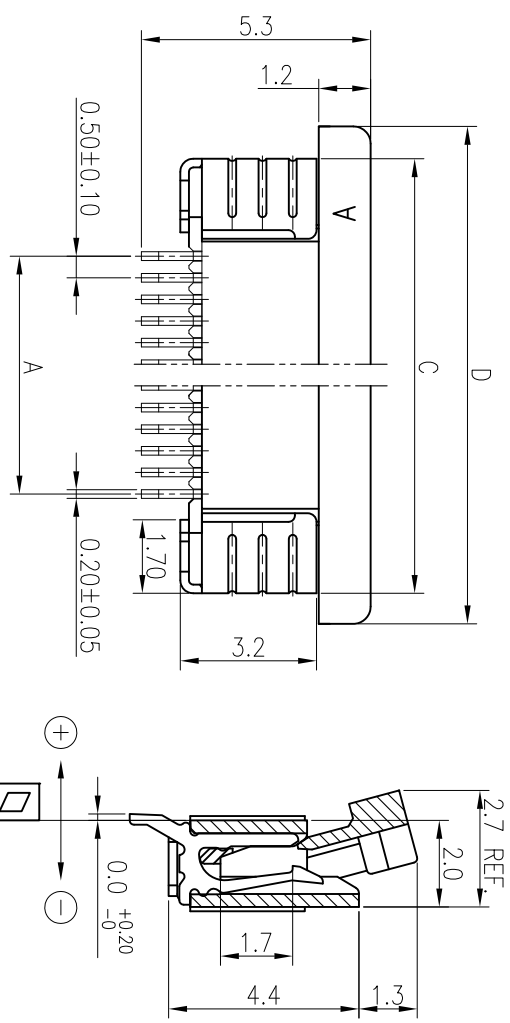
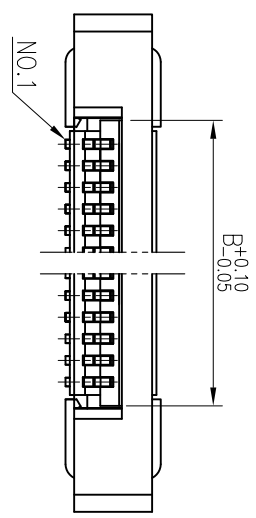
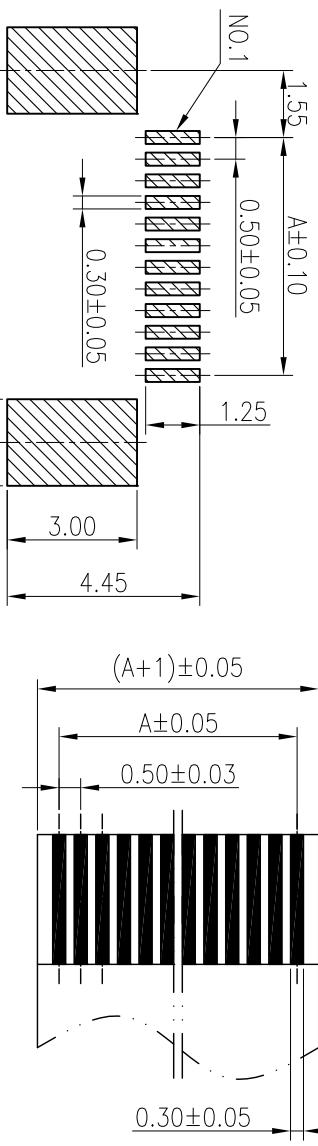


REV	ECN No.	DESCRIPTION	DATE
A	ECN.	RELEASE	2010-7-12



- 备注:
- 电气性能:
    - 额定电流: 0.5A
    - 额定电压: 50V
    - 耐压: 200V
    - 接触电阻: 30mΩ
    - 绝缘电阻: 500MΩ
  - 工作温度: -25℃~+85℃
  - 环境管控:
    - 禁止使用含有SS-00259所限制的物质。
    - 对应第三方检测机构出具的IOP-AES数据和不可测定物质的成分表, 在一年有效期内。

PIN NUMBER	DIMENSIONS			
	A	B	C	D
1	1.50	2.40	6.00	7.50
2	2.00	3.10	6.50	8.00
3	2.50	3.80	7.00	8.50
4	3.00	4.10	7.50	9.00
5	3.50	4.40	8.00	9.50
6	4.00	5.10	8.50	10.00
7	4.50	5.40	9.00	10.50
8	5.00	6.10	9.50	11.00
9	5.50	6.40	10.00	11.50
10	6.00	7.10	10.50	12.00
11	6.50	7.40	11.00	12.50
12	7.00	8.10	11.50	13.00
13	7.50	8.40	12.00	13.50
14	8.00	9.10	12.50	14.00
15	8.50	9.40	13.00	14.50
16	9.00	10.10	13.50	15.00
17	9.50	10.40	14.00	15.50
18	10.00	11.10	14.50	16.00
19	10.50	11.40	15.00	16.50
20	11.00	12.10	15.50	17.00
21	11.50	12.40	16.00	17.50
22	12.00	13.10	16.50	18.00
23	12.50	13.40	17.00	18.50
24	13.00	14.10	17.50	19.00
25	13.50	14.40	18.00	19.50
26	14.00	15.10	18.50	20.00
27	14.50	15.40	19.00	20.50
28	15.00	16.10	19.50	21.00
29	15.50	16.40	20.00	21.50
30	16.00	17.10	20.50	22.00
31	16.50	17.40	21.00	22.50
32	17.00	18.10	21.50	23.00
33	17.50	18.40	22.00	23.50
34	18.00	19.10	22.50	24.00
35	18.50	19.40	23.00	24.50
36	19.00	20.10	23.50	25.00
37	19.50	20.40	24.00	25.50
38	20.00	21.10	24.50	26.00
39	20.50	21.40	25.00	26.50
40	21.00	22.10	25.50	27.00
41	21.50	22.40	26.00	27.50
42	22.00	23.10	26.50	28.00
43	22.50	23.40	27.00	28.50
44	23.00	24.10	27.50	29.00
45	23.50	24.40	28.00	29.50
46	24.00	25.10	28.50	30.00
47	24.50	25.40	29.00	30.50
48	25.00	26.10	29.50	31.00
49	25.50	26.40	30.00	31.50
50	26.00	27.10	30.50	32.00
51	26.50	27.40	31.00	32.50
52	27.00	28.10	31.50	33.00
53	27.50	28.40	32.00	33.50
54	28.00	29.10	32.50	34.00
55	28.50	29.40	33.00	34.50
56	29.00	30.10	33.50	35.00
57	29.50	30.40	34.00	35.50
58	30.00	31.10	34.50	36.00
59	30.50	31.40	35.00	36.50
60	31.00	32.10	35.50	37.00



PCB Layout

RECOMMENDED FPC SPEC  
THICKNESS=0.3±0.02mm

4	PAD	2 PSS	COPPER ALLOY				
3	CONTACT	n PSS	COPPER ALLOY				
2	COVER	1 PSS	THERMOPLASTIC				
1	HOUSING	1 PSS	THERMOPLASTIC				
ITEM	COMPONENT	QTY	MATERIAL	FINISH			
深圳市德全盛电子科技有限公司 SHENZHEN CITY DEQUANGSHENG ELECTRONIC TECHNOLOGY CO.,LTD. TITLE: ASSEMBLY 0.30MMFPC PART NO.: 0.5S-1S-NPWB DWG NO.: USE: CUSTOMER APPD: YAHVEH CHKD: YEWENJY DR: CUIRONG SCALE: SHEET SHEET							