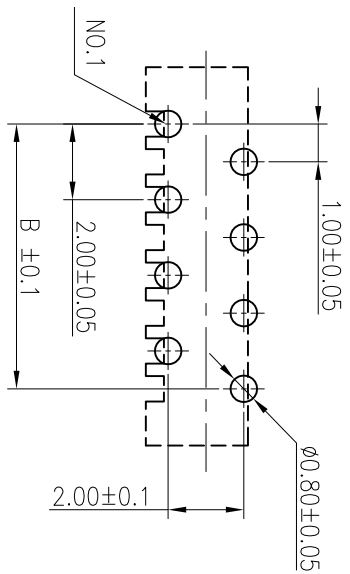
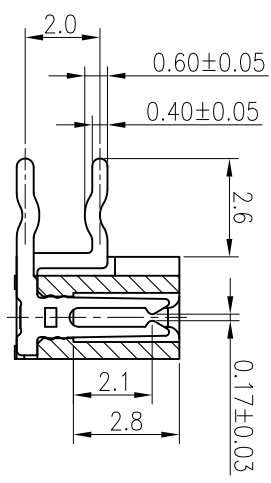
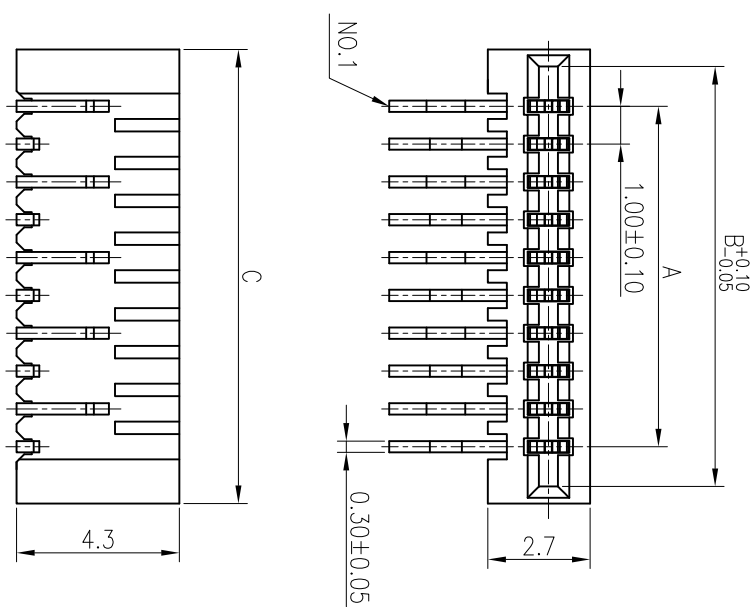


|     |         |             |      |
|-----|---------|-------------|------|
| REV | ECN No. | DESCRIPTION | DATE |
| REV | ECN.    | RELEASE     | TATE |

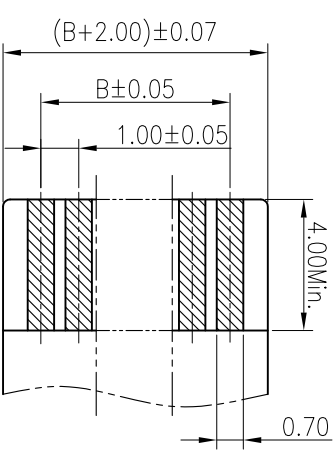
- 备注:
- 电气性能:
    - 1-1. 额定电流: 0.5A
    - 1-2. 额定电压: 50V
    - 1-3. 耐压: 500V
    - 1-4. 接触电阻: 30mΩ
    - 1-5. 绝缘电阻: 500MΩ
  - 工作温度: -25°C~+85°C
  - 环境监控:
    - 3-1. 禁止使用含有SS-00259所限制的物质。
    - 3-2. 对应第三方测试机构出具的IOP-AES数据和不可测定物质的成分表, 在一年有效期内。

| No. of Contacts | DIM A | DIM B | DIM C |
|-----------------|-------|-------|-------|
| 4               | 3.00  | 5.10  | 6.00  |
| 5               | 4.00  | 6.10  | 7.00  |
| 6               | 5.00  | 7.10  | 8.00  |
| 7               | 6.00  | 8.10  | 9.00  |
| 8               | 7.00  | 9.10  | 10.00 |
| 9               | 8.00  | 10.10 | 11.00 |
| 10              | 9.00  | 11.10 | 12.00 |
| 11              | 10.00 | 12.10 | 13.00 |
| 12              | 11.00 | 13.10 | 14.00 |
| 13              | 12.00 | 14.10 | 15.00 |
| 14              | 13.00 | 15.10 | 16.00 |
| 15              | 14.00 | 16.10 | 17.00 |
| 16              | 15.00 | 17.10 | 18.00 |
| 17              | 16.00 | 18.10 | 19.00 |
| 18              | 17.00 | 19.10 | 20.00 |
| 19              | 18.00 | 20.10 | 21.00 |
| 20              | 19.00 | 21.10 | 22.00 |
| 21              | 20.00 | 22.10 | 23.00 |
| 22              | 21.00 | 23.10 | 24.00 |
| 23              | 22.00 | 24.10 | 25.00 |
| 24              | 23.00 | 25.10 | 26.00 |
| 25              | 24.00 | 26.10 | 27.00 |
| 26              | 25.00 | 27.10 | 28.00 |
| 27              | 26.00 | 28.10 | 29.00 |
| 28              | 27.00 | 29.10 | 30.00 |
| 29              | 28.00 | 30.10 | 31.00 |
| 30              | 29.00 | 31.10 | 32.00 |
| 31              | 30.00 | 32.10 | 33.00 |
| 32              | 31.00 | 33.10 | 34.00 |
| 33              | 32.00 | 34.10 | 35.00 |
| 34              | 33.00 | 35.10 | 36.00 |
| 35              | 34.00 | 36.10 | 37.00 |



PCB Layout

RECOMMENDED FPC SPEC  
T=0.30±0.02mm



|      |           |       |               |                             |
|------|-----------|-------|---------------|-----------------------------|
| ITEM | COMPONENT | QTY   | MATERIAL      | FINISH                      |
| 1    | HOUSING   | 1 PCS | THERMOPLASTIC | UL 94V-0,COLOR:NATURE       |
| 2    | CONTACT   | n PCS | COPPER ALLOY  | Ni:30u"~100u",Sn:80u"~200u" |

深圳市德全盛电子科技有限公司  
SHENZHEN CITY DEQUANSHENG ELECTRONIC TECHNOLOGY CO.,LTD.  
TITLE: ASSEMBLY  
0.30MM/FPC

USE: CUSTOMER  
APPD: YAHVEH  
CHKD: YEWENUV  
PART NO.: 1.0-2-NPW  
DWG NO.:

|         |          |           |             |       |       |
|---------|----------|-----------|-------------|-------|-------|
| X.±0.5  | X.±0.5'  | UNITS: mm | DR: CUIRONG | SCALE | SHEET |
| .X±0.3  | .X±0.3'  |           |             | SCALE | SHEET |
| .XX±0.2 | .XX±0.2' |           |             |       |       |