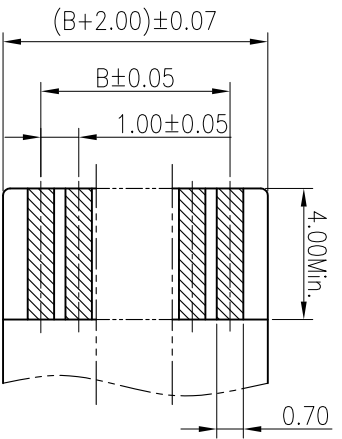
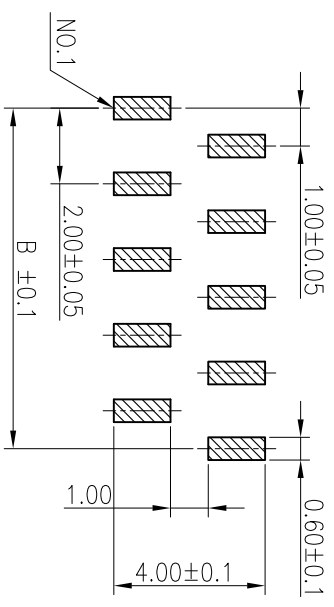
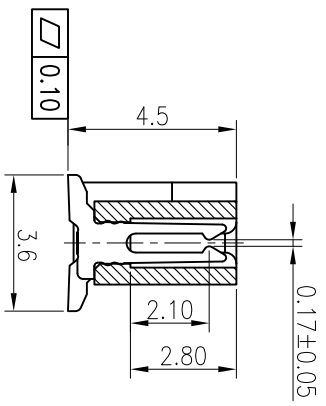
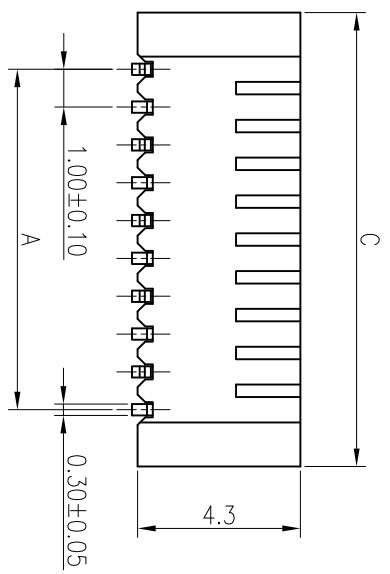
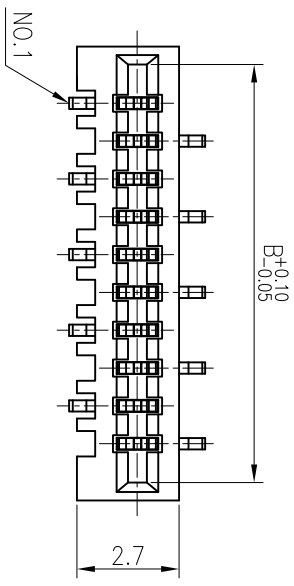


REV	ECN No.	DESCRIPTION	DATE
REV	ECN.	RELEASE	TATE



PCB Layout

RECOMMENDED FPC SPEC
T=0.30±0.02mm

- 备注:
- 电气性能:
 - 1-1. 额定电流: 0.5A
 - 1-2. 额定电压: 50V
 - 1-3. 耐压: 500V
 - 1-4. 接触电阻: 30mΩ
 - 1-5. 绝缘电阻: 500MΩ
 - 工作温度: -25°C~+85°C
 - 环境管控:
 - 3-1. 禁止使用含有SS-00259所限制的物质。
 - 3-2. 对应第三方测试机构出具的ICP-AES数据和不可测定物质的成分表, 在一年有效期内。

No. of Contacts	DIM A	DIM B	DIM C	No. of Contacts				
				4	5	6	7	8
4	3.00	5.10	6.00					
5	4.00	6.10	7.00					
6	5.00	7.10	8.00					
7	6.00	8.10	9.00					
8	7.00	9.10	10.00					
9	8.00	10.10	11.00					
10	9.00	11.10	12.00					
11	10.00	12.10	13.00					
12	11.00	13.10	14.00					
13	12.00	14.10	15.00					
14	13.00	15.10	16.00					
15	14.00	16.10	17.00					
16	15.00	17.10	18.00					
17	16.00	18.10	19.00					
18	17.00	19.10	20.00					
19	18.00	20.10	21.00					
20	19.00	21.10	22.00					
21	20.00	22.10	23.00					
22	21.00	23.10	24.00					
23	22.00	24.10	25.00					
24	23.00	25.10	26.00					
25	24.00	26.10	27.00					
26	25.00	27.10	28.00					
27	26.00	28.10	29.00					
28	27.00	29.10	30.00					
29	28.00	30.10	31.00					
30	29.00	31.10	32.00					
31	30.00	32.10	33.00					
32	31.00	33.10	34.00					
33	32.00	34.10	35.00					
34	33.00	35.10	36.00					
35	34.00	36.10	37.00					

2	CONTACT	n PCS	COPPER ALLOY				
1	HOUSING	1 PCS	THERMOPLASTIC				
ITEM	COMPONENT	QTY	MATERIAL	FINISH	TITLE: ASSEMBLY		
SHENZHEN CITY DEQUANGSHENG ELECTRONIC TECHNOLOGY CO.,LTD.				0.30MM/FPC			
深圳市德全盛电子科技有限公司				PART NO.: 1.0-2-NPB			
USE: CUSTOMER				DWG NO.:			
APPD: YAHVEH				SCALE			
CHKD: YEWENUV				SHEET			
DR: CUIRONG				SHEET			
UNITS: mm				SCALE			