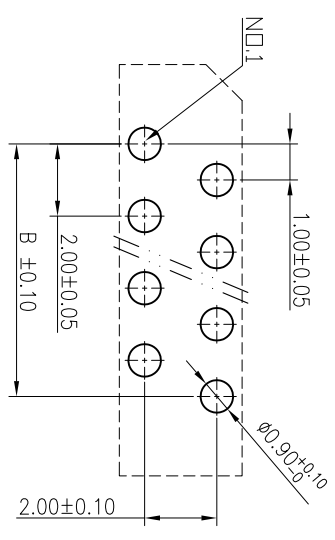
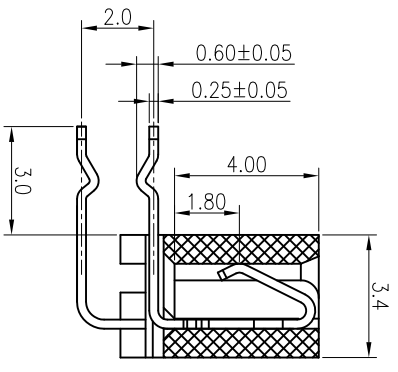
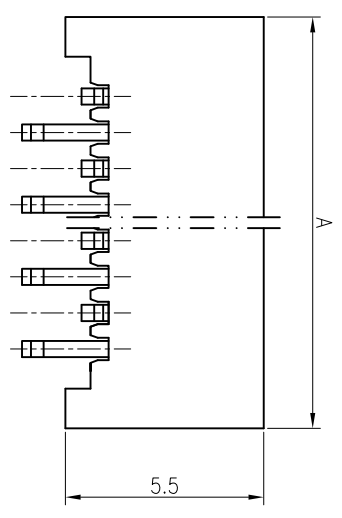
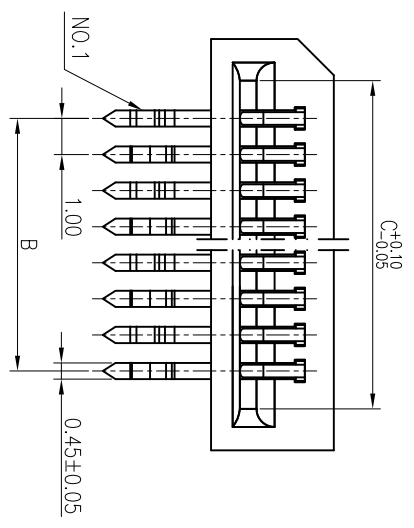
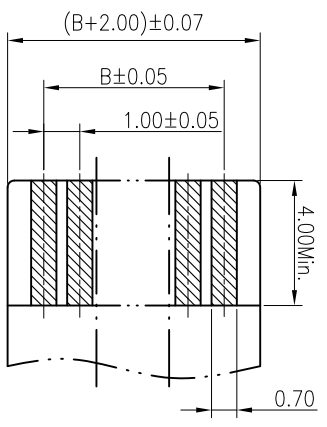


REV	ECN No.	DESCRIPTION	DATE
A	ECN.	RELEASE	2002-12-05



RECOMMENDED FPC SPEC
T=0.30±0.02mm



极数	A	B	C
2	5.40	1.00	3.10
3	6.40	2.00	4.10
4	7.40	3.00	5.10
5	8.40	4.00	6.10
6	9.40	5.00	7.10
7	10.40	6.00	8.10
8	11.40	7.00	9.10
9	12.40	8.00	10.10
10	13.40	9.00	11.10
11	14.40	10.00	12.10
12	15.40	11.00	13.10
13	16.40	12.00	14.10
14	17.40	13.00	15.10
15	18.40	14.00	16.10
16	19.40	15.00	17.10
17	20.40	16.00	18.10
18	21.40	17.00	19.10
19	22.40	18.00	20.10
20	23.40	19.00	21.10
21	24.40	20.00	22.10
22	25.40	21.00	23.10
23	26.40	22.00	24.10
24	27.40	23.00	25.10
25	28.40	24.00	26.10
26	29.40	25.00	27.10
27	30.40	26.00	28.10
28	31.40	27.00	29.10
29	32.40	28.00	30.10
30	33.40	29.00	31.10
31	34.40	30.00	32.10
32	35.40	31.00	33.10
33	36.40	32.00	34.10
34	37.40	33.00	35.10
35	38.40	34.00	36.10
36	39.40	35.00	37.10
37	40.40	36.00	38.10
38	41.40	37.00	39.10
39	42.40	38.00	40.10
40	43.40	39.00	41.10

- 备注:
- 电气性能:
 - 1-1 额定电流: 0.5A
 - 1-2 额定电压: 50V
 - 1-3 耐电压: 500V
 - 1-4 接触电阻: 30mΩ
 - 1-5 绝缘电阻: 500MΩ
 - 工作温度: -25°C~+85°C
 - 环境管控:
 - 3-1 禁止使用含有SS-00259所限制的物质。
 - 3-2 对应第三方测试机构出具的10P-AES数据和不可测定物质的成分表, 在一年有效期内。

2	CONTACT	n PCS	COPPER ALLOY
1	HOUSING	1 PCS	THERMOPLASTIC
ITEM	COMPONENT	QTY	MATERIAL

深圳市德全盛电子科技有限公司
SHENZHEN CITY DEQUANGSHENG ELECTRONIC TECHNOLOGY CO.,LTD.

USE: CUSTOMER
APPD: YAHVEH
CHKD: YEWENUV

PART NO.: 1.0-11S-NPW
DWG NO.:

X.±0.5	X.±0.5'	SCALE	SHEET
.X±0.3	.X±0.3'	SCALE	SHEET
.XX±0.2	.XX±0.2'	SCALE	SHEET
--	--	SCALE	SHEET
UNITS: mm	DR: CUIRONG	SCALE	SHEET