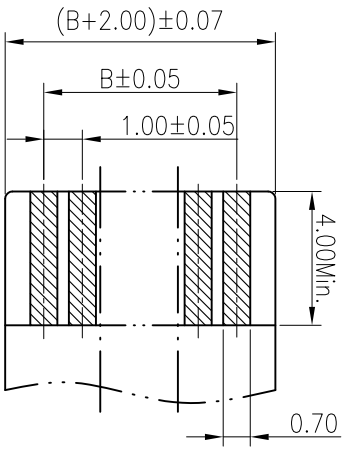
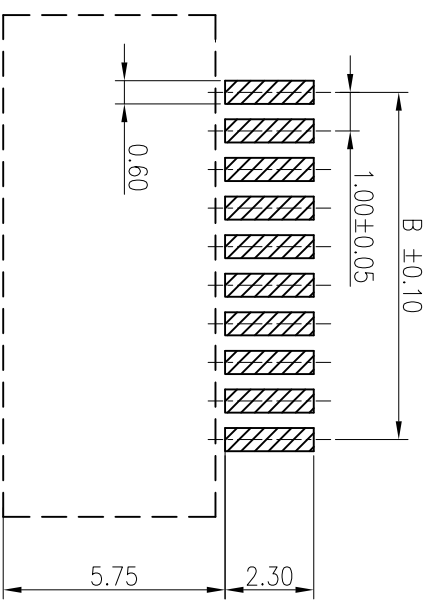
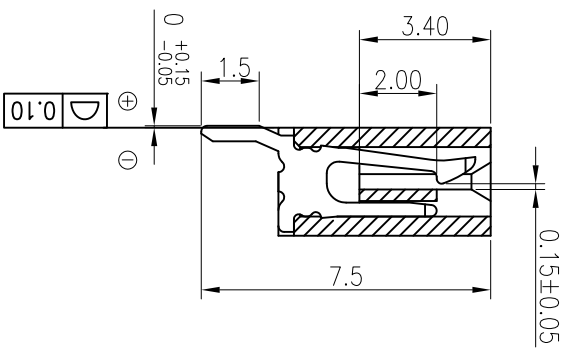
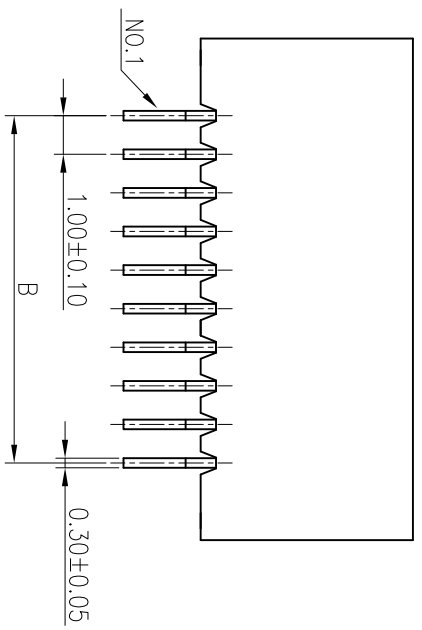
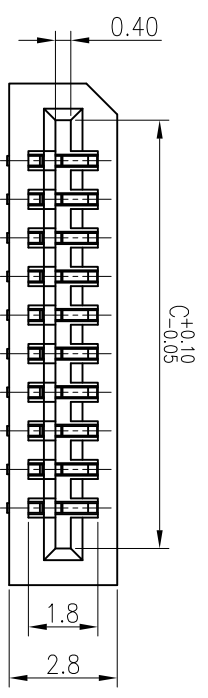


REV	ECN No.	DESCRIPTION	DATE
A	ECN.	RELEASE	2002-12-05



PCB Layout

RECOMMENDED FPC SPEC
T=0.30±0.02mm

- 备注:
- 电气性能:
 - 1-1. 额定电流: 0.5A
 - 1-2. 额定电压: 50V
 - 1-3. 耐电压: 500V
 - 1-4. 接触电阻: 30mΩ
 - 1-5. 绝缘电阻: 500MΩ
 - 工作温度: -25℃~+85℃
 - 环境管控:
 - 3-1. 禁止使用含有SS-00259所限制的物质。
 - 3-2. 对应第三方测试机构出具的10P-AES数据和不可测定物质的成分表, 在一年有效期内。

孔数	A	B	C
4P	7.00	3.00	5.10
5P	8.00	4.00	6.10
6P	9.00	5.00	7.10
7P	10.00	6.00	8.10
8P	11.00	7.00	9.10
9P	12.00	8.00	10.10
10P	13.00	9.00	11.10
11P	14.00	10.00	12.10
12P	15.00	11.00	13.10
13P	16.00	12.00	14.10
14P	17.00	13.00	15.10
15P	18.00	14.00	16.10
16P	19.00	15.00	17.10
17P	20.00	16.00	18.10
18P	21.00	17.00	19.10
19P	22.00	18.00	20.10
20P	23.00	19.00	21.10
21P	24.00	20.00	22.10
22P	25.00	21.00	23.10
23P	26.00	22.00	24.10
24P	27.00	23.00	25.10
25P	28.00	24.00	26.10
26P	29.00	25.00	27.10
27P	30.00	26.00	28.10
28P	31.00	27.00	29.10
29P	32.00	28.00	30.10
30P	33.00	29.00	31.10
31P	34.00	30.00	32.10
32P	35.00	31.00	33.10
33P	36.00	32.00	34.10
34P	37.00	33.00	35.10
35P	38.00	34.00	36.10

2	CONTACT	n PCS	COPPER ALLOY	Ni:30u"~100u", SN:80u"~200u"
1	HOUSING	1 PCS	THERMOPLASTIC	UL 94V-0,COLOR:NATURE
ITEM	COMPONENT	QTY	MATERIAL	FINISH
深圳市德全盛电子科技有限公司 SHENGZHENG CITY DEQUANGSHENG ELECTRONIC TECHNOLOGY CO.,LTD.				
TITLE: ASSEMBLY		PART NO.:		
0.30MMFFC		1.0-15X-NPW		
USE: CUSTOMER		DWG NO.:		
APPD: YAHVEH				
CHKD: YEWENUV				
UNITS: mm		DR: CUIRONG		SCALE
				SHEET