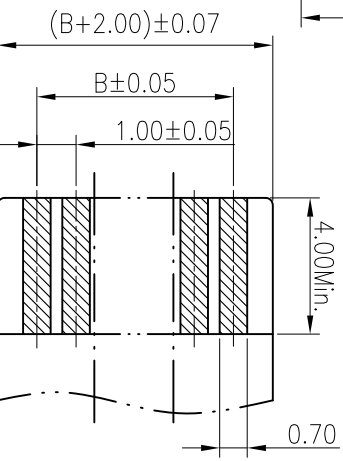
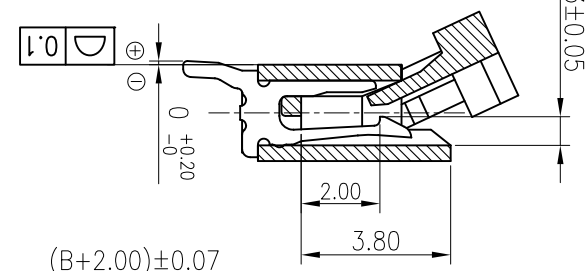
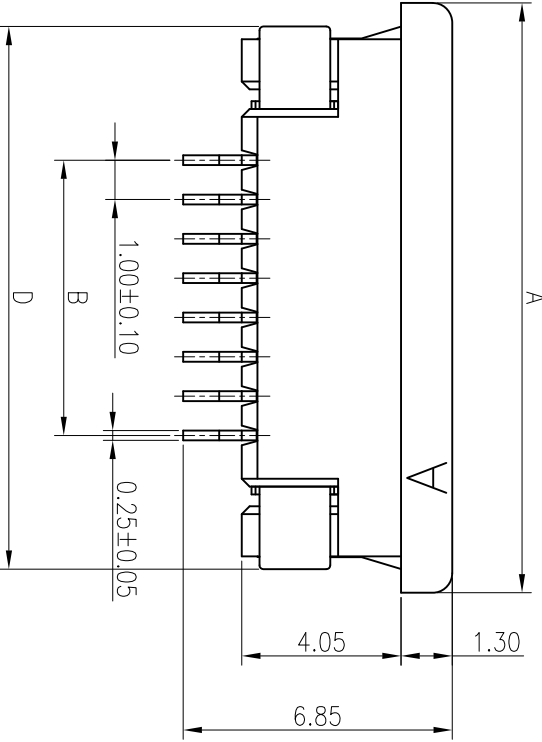
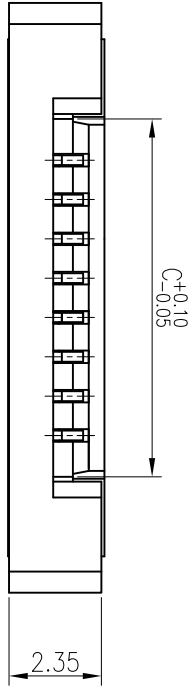


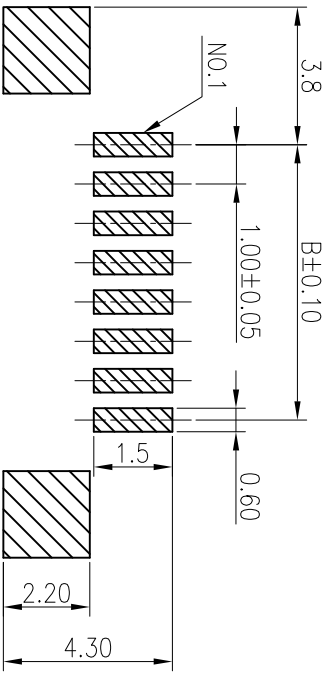
REV	DESCRIPTION	MARK	DATE
A	正式版本		2014-6-8

- 备注:
- 电气性能:
 - 1-1. 额定电流: 0.5A
 - 1-2. 额定电压: 50V
 - 1-3. 耐压: 500V
 - 1-4. 接触电阻: 30mΩ
 - 1-5. 绝缘电阻: 500MΩ
 - 工作温度: -25°C~+85°C
 - 环境管控:
 - 3-1. 禁止使用含有SS-00259所限制的物质。
 - 3-2. 对应第三方测试机构出具的10P-AES数据和不可测定物质的成分表, 在一年有效期内。



RECOMMENDED FPC SPEC
T=0.30±0.02mm

NO. of Contacts	DIM		DIM	
	A	B	C	D
4	11.00	3.00	5.10	9.80
5	12.00	4.00	6.10	10.80
6	13.00	5.00	7.10	11.80
7	14.00	6.00	8.10	12.80
8	15.00	7.00	9.10	13.80
9	16.00	8.00	10.10	14.80
10	17.00	9.00	11.10	15.80
11	18.00	10.00	12.10	16.80
12	19.00	11.00	13.10	17.80
13	20.00	12.00	14.10	18.80
14	21.00	13.00	15.10	19.80
15	22.00	14.00	16.10	20.80
16	23.00	15.00	17.10	21.80
17	24.00	16.00	18.10	22.80
18	25.00	17.00	19.10	23.80
19	26.00	18.00	20.10	24.80
20	27.00	19.00	21.10	25.80
21	28.00	20.00	22.10	26.80
22	29.00	21.00	23.10	27.80
23	30.00	22.00	24.10	28.80
24	31.00	23.00	25.10	29.80
25	32.00	24.00	26.10	30.80
26	33.00	25.00	27.10	31.80
27	34.00	26.00	28.10	32.80
28	35.00	27.00	29.10	33.80
29	36.00	28.00	30.10	34.80
30	37.00	29.00	31.10	35.80
31	38.00	30.00	32.10	36.80
32	39.00	31.00	33.10	37.80
33	40.00	32.00	34.10	38.80
34	41.00	33.00	35.10	39.80
35	42.00	34.00	36.10	40.80



PCB Layout

ITEM	COMPONENT	QTY	MATERIAL	FINISH
4	PAD	F10012Y-PT-1	2 PCS	COPPER ALLOY
3	CONTACT	F10012Y-TI-5	n PCS	COPPER ALLOY
2	COVER	F10012Y-C-**-1	1 PCS	THERMOPLASTIC
1	HOUSING	F10012Y-H-**-5	1 PCS	THERMOPLASTIC

X. ± 0.30		X* ±	MAT'L	USE:	CUSTOMER
.X ± 0.20		X* ±	FINISH	APP'D: yahveh	
.XX ± 0.15		XX* ±		CHK'D: yewenju	
.XXX ±		XXX* ±	UNITS:	DR:	kang
X ± 0.30		X* ±	UNITS:	DR:	kang

SHENGZHENG CITY DEQUANGSHENG ELECTRONIC TECHNOLOGY CO.,LTD.		TITLE: ASSEMBLY FOR FPC CONNECTOR	
PART NO: 10S-12S-nPWB		DWG NO: 10S-12S-nPWB	
SCALE 1/1	SHEET 1/1	REV. A	