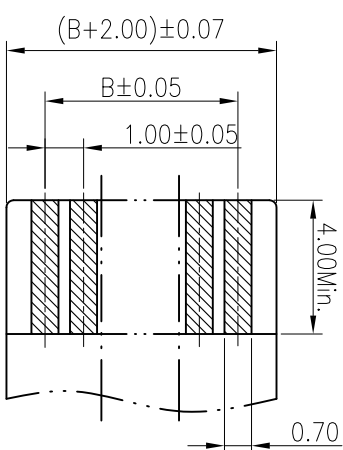
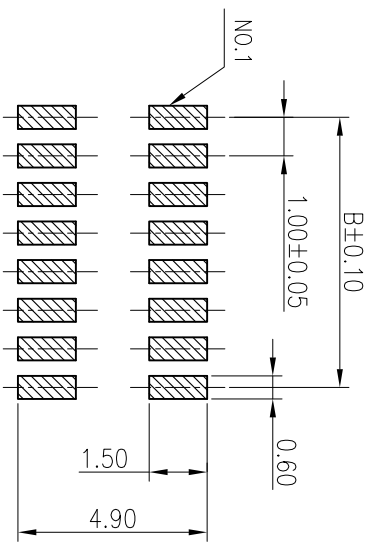
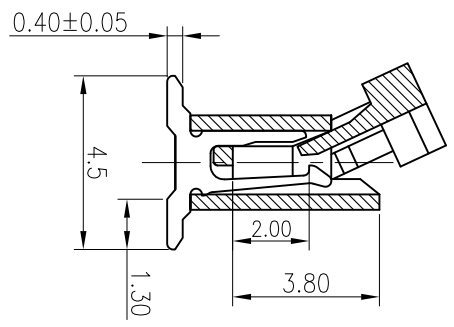
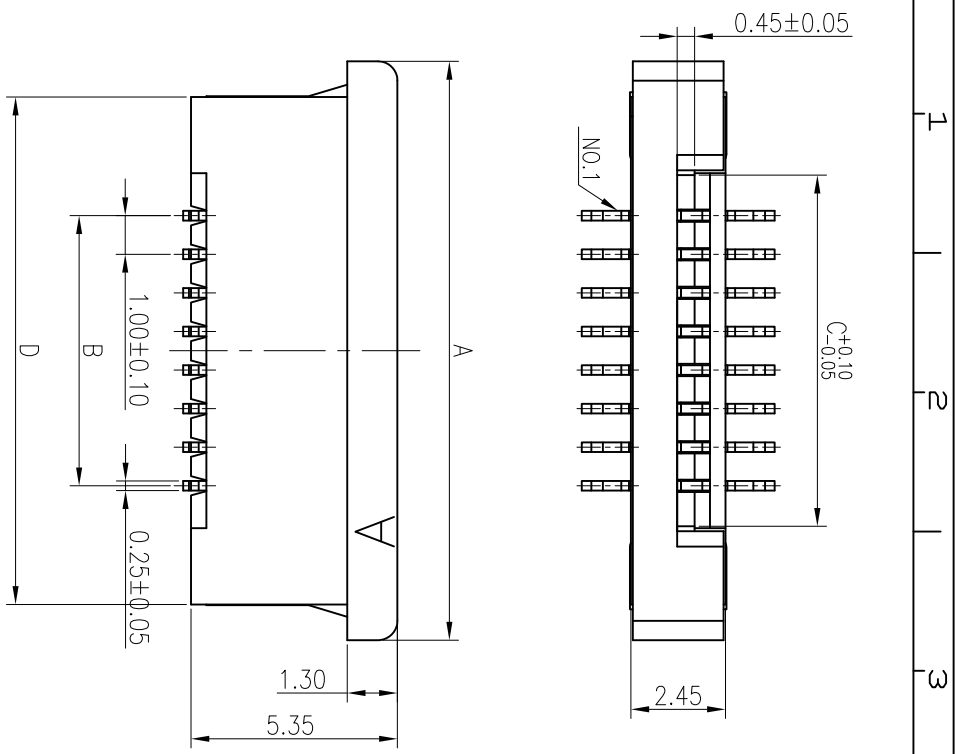


REV	ECN No.	DESCRIPTION	DATE
A	ECN.	RELEASE	2005-12-05

- 备注:
- 电气性能:
 - 额定电流: 0.5A
 - 额定电压: 50V
 - 耐压: 500V
 - 接触电阻: 30mΩ
 - 绝缘电阻: 500MΩ
 - 环境温度: -25°C~+85°C
 - 环境管控:
 - 禁止使用含有SS-00259所限制的物质。
 - 对应第三方测试机构出具的1CP-AES数据和不可测定物质的成分表, 在一年有效期内。

NO. of Contacts	DIM			
	A	B	C	D
4	11.00	3.00	5.10	9.15
5	12.00	4.00	6.10	10.15
6	13.00	5.00	7.10	11.15
7	14.00	6.00	8.10	12.15
8	15.00	7.00	9.10	13.15
9	16.00	8.00	10.10	14.15
10	17.00	9.00	11.10	15.15
11	18.00	10.00	12.10	16.15
12	19.00	11.00	13.10	17.15
13	20.00	12.00	14.10	18.15
14	21.00	13.00	15.10	19.15
15	22.00	14.00	16.10	20.15
16	23.00	15.00	17.10	21.15
17	24.00	16.00	18.10	22.15
18	25.00	17.00	19.10	23.15
19	26.00	18.00	20.10	24.15
20	27.00	19.00	21.10	25.15
21	28.00	20.00	22.10	26.15
22	29.00	21.00	23.10	27.15
23	30.00	22.00	24.10	28.15
24	31.00	23.00	25.10	29.15
25	32.00	24.00	26.10	30.15
26	33.00	25.00	27.10	31.15
27	34.00	26.00	28.10	32.15
28	35.00	27.00	29.10	33.15
29	36.00	28.00	30.10	34.15
30	37.00	29.00	31.10	35.15
31	38.00	30.00	32.10	36.15
32	39.00	31.00	33.10	37.15
33	40.00	32.00	34.10	38.15
34	41.00	33.00	35.10	39.15
35	42.00	34.00	36.10	40.15



RECOMMENDED FPC SPEC
T=0.30±0.02mm

PCB Layout

ITEM	COMPONENT	QTY	MATERIAL	FINISH
4	PAD	n PCS	COPPER ALLOY	Ni:30u"-100u",SN:80u"-200u"
3	CONTACT	n PCS	COPPER ALLOY	Ni:30u"-100u",SN:80u"-200u"
2	COVER	1 PCS	THERMOPLASTIC	UL 94V-0,COLOR:NATURE
1	HOUSING	1 PCS	THERMOPLASTIC	UL 94V-0,COLOR:NATURE

深圳市德全盛电子科技有限公司
SHENZHEN CITY DEQUANGSHENG ELECTRONIC TECHNOLOGY CO.,LTD.

TITLE: ASSEMBLY
0.30MM/FPC
PART NO.: 1.0S-12-NPB
USE: CUSTOMER
APPD: YAHVEH
CHKD: YEWENUV
DWG NO.:

X±0.5	X±0.5'	USE:	CUSTOMER
X±0.3	X±0.3'	APPD:	YAHVEH
.XX±0.2	.XX±0.2'	CHKD:	YEWENUV
---	---	DR:	CUIRONG

SCALE SCALE
SHEET SHEET