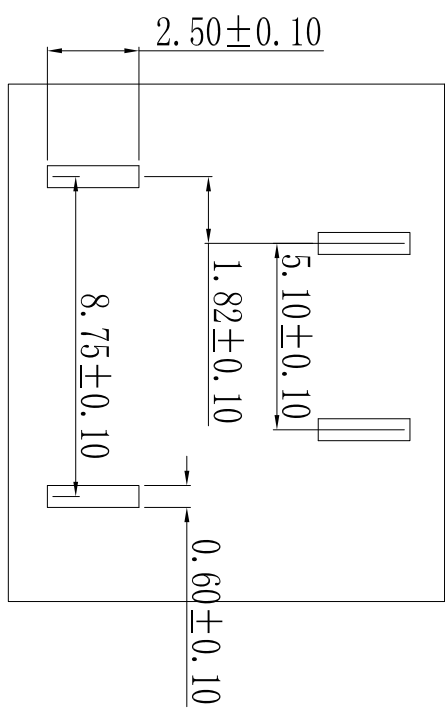
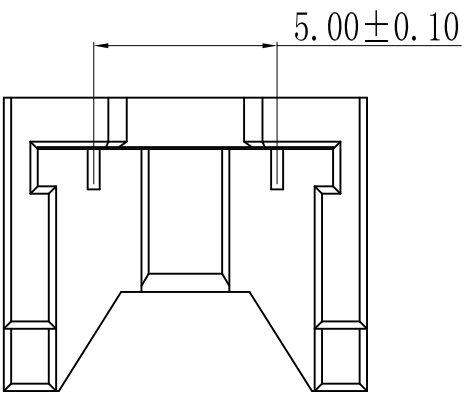
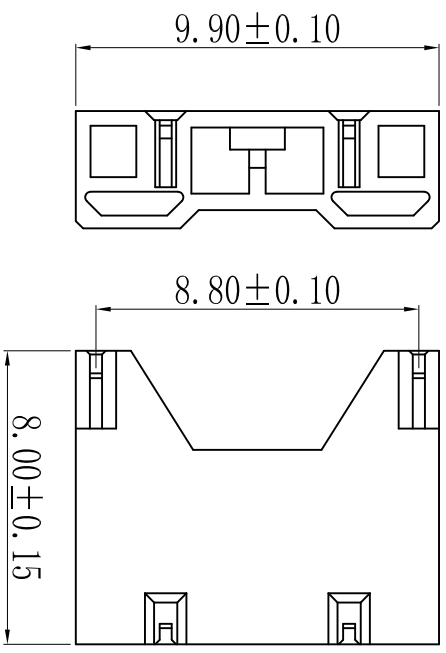
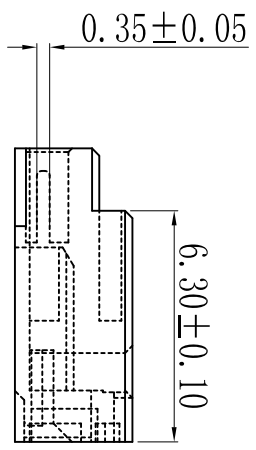


REV	DESCRIPTION	MARK	DATE
A	正式版本		2017/05/06



SPECIFICATIONS

- 1、Current Rating: 2A AC, DC
 - 2、Voltage Rating: 500V AC, DC
 - 3、Temperature Range: -40°C~+105°C
 - 4、Contact Resistance: 40mΩ Max
 - 5、Insulation Resistance: 1000MΩ Min
 - 6、Withstanding Voltage: 1500V AC/minute
 - 7、Material: Wafer LCP, UL94V-0
- PIN Phosphoric bronze Tin-plated
Solder tad Phosphoric bronze Tin-plated

1	6.0B-1-2AWB	PAD	2 PCS	PHOSPHER BRONZE	Ni 30u"-100u", Sn 80u"-200u"
		CONTACT	2 PCS	PHOSPHER BRONZE	Ni 30u"-100u", Sn 80u"-200u"
ITEM	PART NO.	HOUSING	1 PCS	LCP	UL 94V-0, COLOR:NATURE
		COMPONENT	Q'TY	MATERIAL	FINISH
深圳市德全盛电子科技有限公司 SHENGZHEN CITY DEQUANSHENG ELECTRONIC TECHNOLOGY CO., LTD.					
TITLE: ASSEMBLY FOR		PART NO. : 5.0 B-1-B			
USE: CUSTOMER		PART NO. : 50036-2AWB			
MATERIAL		DMG NO. :			
FINISH		CHKD xiangnan			
Q'TY		DR:ducuirong			
SCALE 1:1		SHEET 1/1		REV. A	

PCB LAYOUT