

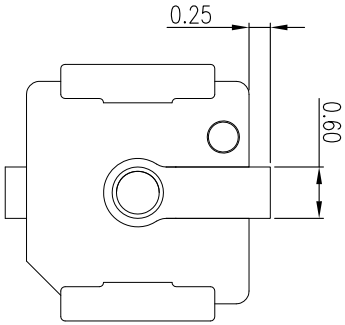
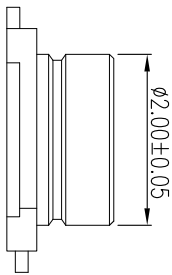
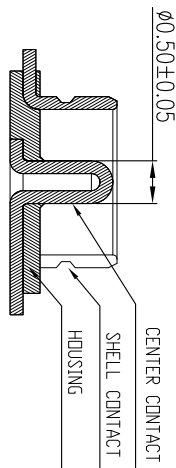
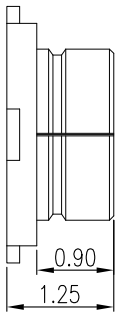
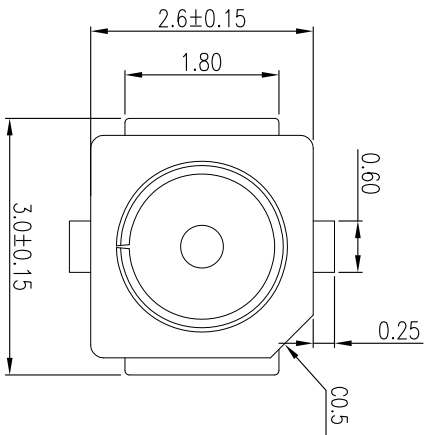
REV	ECR#	DESCRIPTION	DRAWN/DATE	CHECKED/DATE	APPROVED/DATE
A0	~	NEW DESIGN	Jason_Thb 2014/11/25		JYW 2014/11/25
A1	~	ADD NEW SPECIFICATIONS	Jason_Thb 2017/01/12		
A3		ADD COLOR OF HOUSING	Jason_Thb 2017/06/25		

NOTES :

- 1.0. RATING :
- 1.1. VOLTAGE :60 VAC (R.M.S.)
 - 1.2. NOMINAL CHARACTERISTIC IMPEDANCE: 50 Ohm
 - 1.3. APPLICABLE FREQUENCY: DC ~ 6GHz
 - 1.4. VSWR: 1.3 MAX. (DC~3GHz), 1.5 MAX. (3~6GHz)
 - 1.5. TEMPERATURE : -40°C TO +85°C
 - 1.6. APPLIED TO IR SOLDERING PROCESS
- 2.0. MATERIAL SEE BILL OF MATERIAL :
- 2.1.HOUSING: THERMOPLASTIC,U194V-0,
 - 2.2.CENTER CONTACT : COPPER ALLOY,
 - 2.3.SHELL CONTACT: COPPER ALLOY.
- 3.0.PRODUCT NUMBERING CODE :

MRB01 - B 0 1 1 1 0 0
 ① ② ③ ④ ⑤ ⑥ ⑦

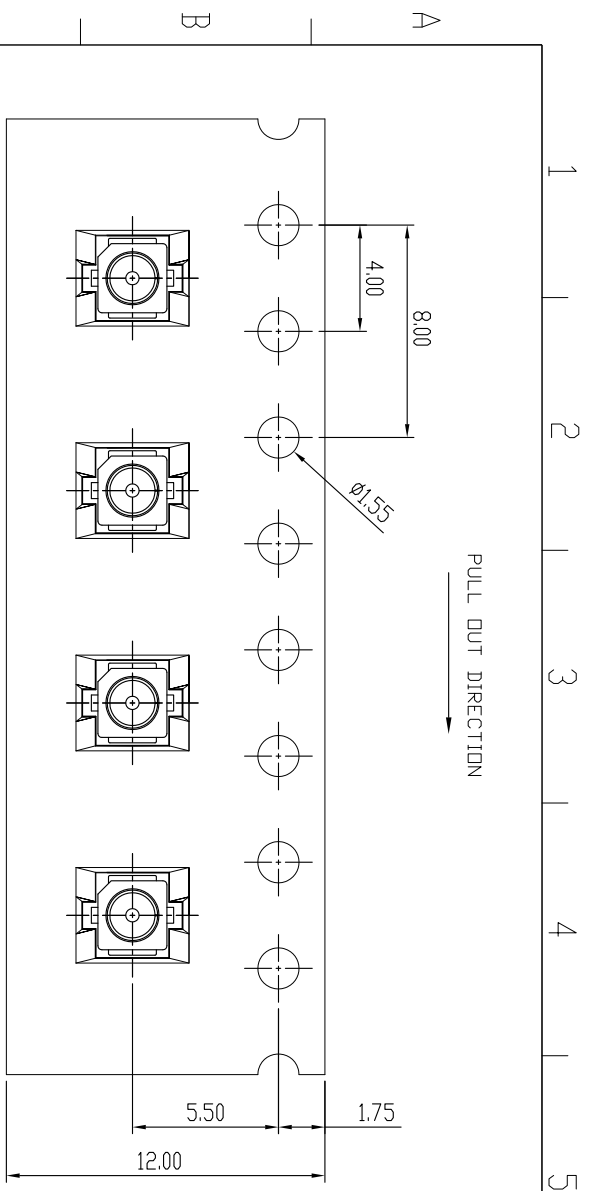
- ① SERIES :
MRB01 :MICRO RF I BOARD SMT CONNECTOR
- ② COLOR OF HOUSING :
B :HOUSING BLACK
W :HOUSING WHITE
- ③ MATERIAL OF HOUSING
0 :LCP
- ④ CONTACT OF PLATING :
1 :CENTER CONTACT 1U" ON CONTACT AREA:GOLD FLASH OTHER AREA:50U" MIN. NICKEL UNDERPLATING
- ⑤ GROUNDED OF PLATING :
1 :SHELL CONTACT 1U" ON CONTACT AREA:GOLD FLASH OTHER AREA:50U" MIN. NICKEL UNDERPLATING
- ⑥ PADS TYPE :
0 :3 PADS TYPE
1 :4 PADS TYPE
- ⑦ PACKING :
0 :1 REEL 5000PCS
1 :1 REEL 4500PCS



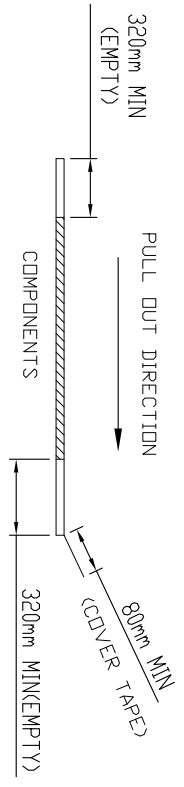
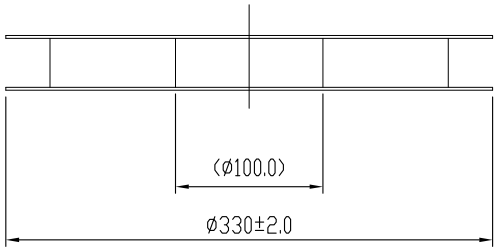
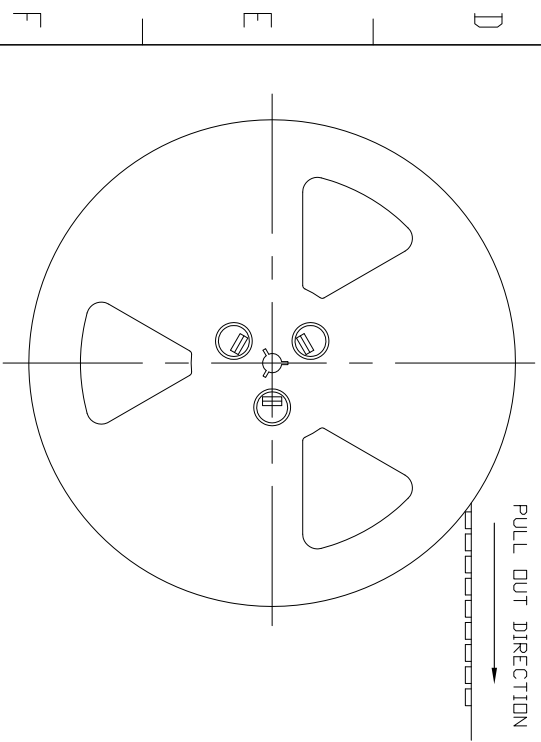
RECOMMENDED PCB LAYOUT
 (TOLERANCE:±0.05)

PRODUCT SPEC:
 PACKAGE SPEC:

CONTROL POINT		DRAWING		DATE		TITLE	
FAI :	to	JOSON_Thb	DATE	2014/11/25	深圳市德全盛电子科技有限公司		
CRITICAL (Cpk & Cp) :	Placed	JOSON_Thb	DATE	2014/11/25	MICRO RF SERIES		
DXI =	Placed	JOSON_Thb	DATE	2014/11/25	MICRO RF I BOARD		
VALID (QC CHECKED) :	Placed	JOSON_Thb	DATE	2014/11/25	SMT 3 PADS TYPE		
▲ =	Placed	JOSON_Thb	DATE	2014/11/25			
TOL. DESIGN DIMENSION :	Placed	JOSON_Thb	DATE	2014/11/25			
[DIM] :	Placed	JOSON_Thb	DATE	2014/11/25			
EVALUATE REFERRS	Placed	JOSON_Thb	DATE	2014/11/25			
NUMBER	Placed	JOSON_Thb	DATE	2014/11/25			
TERMINAL SHEETS	Placed	JOSON_Thb	DATE	2014/11/25			
DERIVATIVE SHEETS	Placed	JOSON_Thb	DATE	2014/11/25			
SCALE	1:1	JOSON_Thb	DATE	2014/11/25			
SHEET	1/1	JOSON_Thb	DATE	2014/11/25			
UNIT	MM	JOSON_Thb	DATE	2014/11/25			
3D FILE		JOSON_Thb	DATE	2014/11/25			
SERIES	MICRO RF SERIES	JOSON_Thb	DATE	2014/11/25			
DRAWING NO	MICRO-RF01-C00-00	JOSON_Thb	DATE	2014/11/25			
SIZE	A3	JOSON_Thb	DATE	2014/11/25			
REV	A3	JOSON_Thb	DATE	2014/11/25			

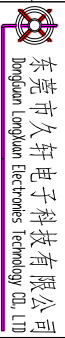


- NOTES:
- MATERIAL :
 - EMBOSSED CARRIER: PET
 - COVER TAPE: PET
 - SHIPPING CARTON: CORRUGATED FIBER
 - DIMENSION :
 - REEL: W=12.5
 - SHIPPING CARTON: L=350, W=350, H=190
 - QUANTITY :
 - PRIMARY PACKING: 5,000PCS/REEL
 - SECONDARY PACKING: 10REELS/CARTON(50,000PCS)
 - WEIGHT :
 - NET WEIGHT: 0.077KG/CARTON, 0.77KG/CARTON.
 - GROSS WEIGHT: 0.54KG/REEL, 6.4KG/CARTON.
 - PEELING RESISTANCE: 10gf~130gf.



CONTROL POINT		DRAWING		DATE	
FAIL :	to	J050N_ thb	2014/11/25		
CRITICAL (Cpk & Cp) :		DESIGN	DATE		
DO =	Places	J050N_ thb	2014/11/25		
MAJOR (QC CHECKED) :		CHECK	DATE		
▲ =	Places				
TOTAL DESIGN DIMENSION :		SCALE	1:1		
EVALUATE REPAIRS		SHEET	1/2		
NUMBER		UNIT	MM		
DRAWING		APPROVED	DATE		
3D FILE		JY.W	2014/11/25		
SERIES		MICRO RF SERIES			
DRAWING NO		MICRO-RF01-P00-00	SIZE	A3	
			REV	A1	

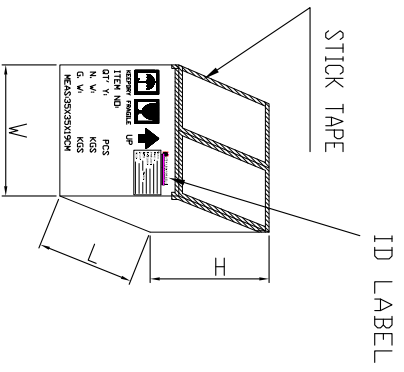
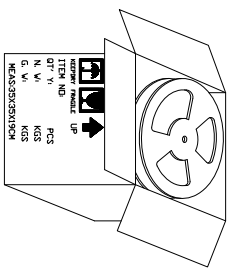
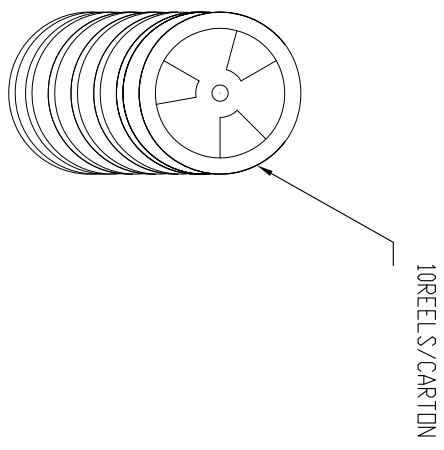
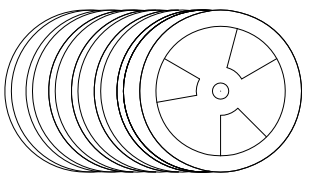
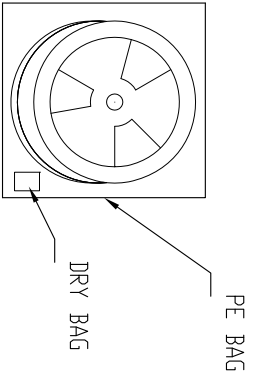
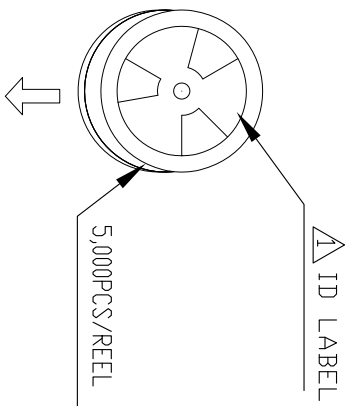
This document and information contained herein are the property of Dongshun City Juyuan Electronics Technology Co., Ltd. Copies are issued in strict confidence and shall not be reproduced or copied, in whole or in part, without the prior written permission of Dongshun City Juyuan Electronics Technology Co., Ltd.




东莞市久轩电子科技有限公司
Jongshun City Juyuan Electronics Technology Co., Ltd.

MICRO RF 1 BOARD SMT TYPE
PACKING DRAWING

REV	ECR#	DESCRIPTION	DRAWN/DATE	CHECKED/DATE	APPROVED/DATE
A1	~	NEW DESIGN	Jason_Thb 2014/11/25		JYW 2014/11/25




东莞市久轩电子科技有限公司
 Dongguan Longjun Electronics Technology Co., Ltd.

品名 NAME: _____
 料号 PART No.: _____
 客户料号 CLIENT P/N: _____
 客户订单 CLIENT P/N#: _____
 数量 QTY: _____ 重量 WEIGHT: _____
 批次 LOT No.: _____
 日期 DATE: _____

CONTROL POINT		TOLERANCES UNLESS OTHERWISE SPECIFIED		DRAWING		DATE	
FRI : to		X 44.50 X 44.50 XX 44.50 XX 44.50		JOSON_Thb		2014/11/25	
CRITICAL (Cpk & Cp) :		X 44.50 X 44.50 XX 44.50 XX 44.50		DESIGN		DATE	
DO =		X 44.50 X 44.50 XX 44.50 XX 44.50		JOSON_Thb		2014/11/25	
MAJOR (QC CHECKED) :		X 44.50 X 44.50 XX 44.50 XX 44.50		CHECK		DATE	
Places		X 44.50 X 44.50 XX 44.50 XX 44.50		DATE		DATE	
Places		X 44.50 X 44.50 XX 44.50 XX 44.50		DATE		DATE	
TOL. DESIGN DIMENSION :		X 44.50 X 44.50 XX 44.50 XX 44.50		DATE		DATE	
Places		X 44.50 X 44.50 XX 44.50 XX 44.50		DATE		DATE	
Places		X 44.50 X 44.50 XX 44.50 XX 44.50		DATE		DATE	
EVALUATE REPEATS		X 44.50 X 44.50 XX 44.50 XX 44.50		DATE		DATE	
NUMBER		X 44.50 X 44.50 XX 44.50 XX 44.50		DATE		DATE	
PRODUCT SPEC:		X 44.50 X 44.50 XX 44.50 XX 44.50		DATE		DATE	
PACKAGE SPEC:		X 44.50 X 44.50 XX 44.50 XX 44.50		DATE		DATE	

This document and information contained herein are the property of Dongguan Longjun Electronics Technology Co., Ltd. All rights reserved. No part of this document may be reproduced or copied in any form or by any means without prior written permission from Dongguan Longjun Electronics Technology Co., Ltd.