

REV	ECR#	DESCRIPTION	DRAWN/DATE	CHECKED/DATE	APPROVED/DATE
A	-	NEW DESIGN	Jason_Thb 2015/11/25		

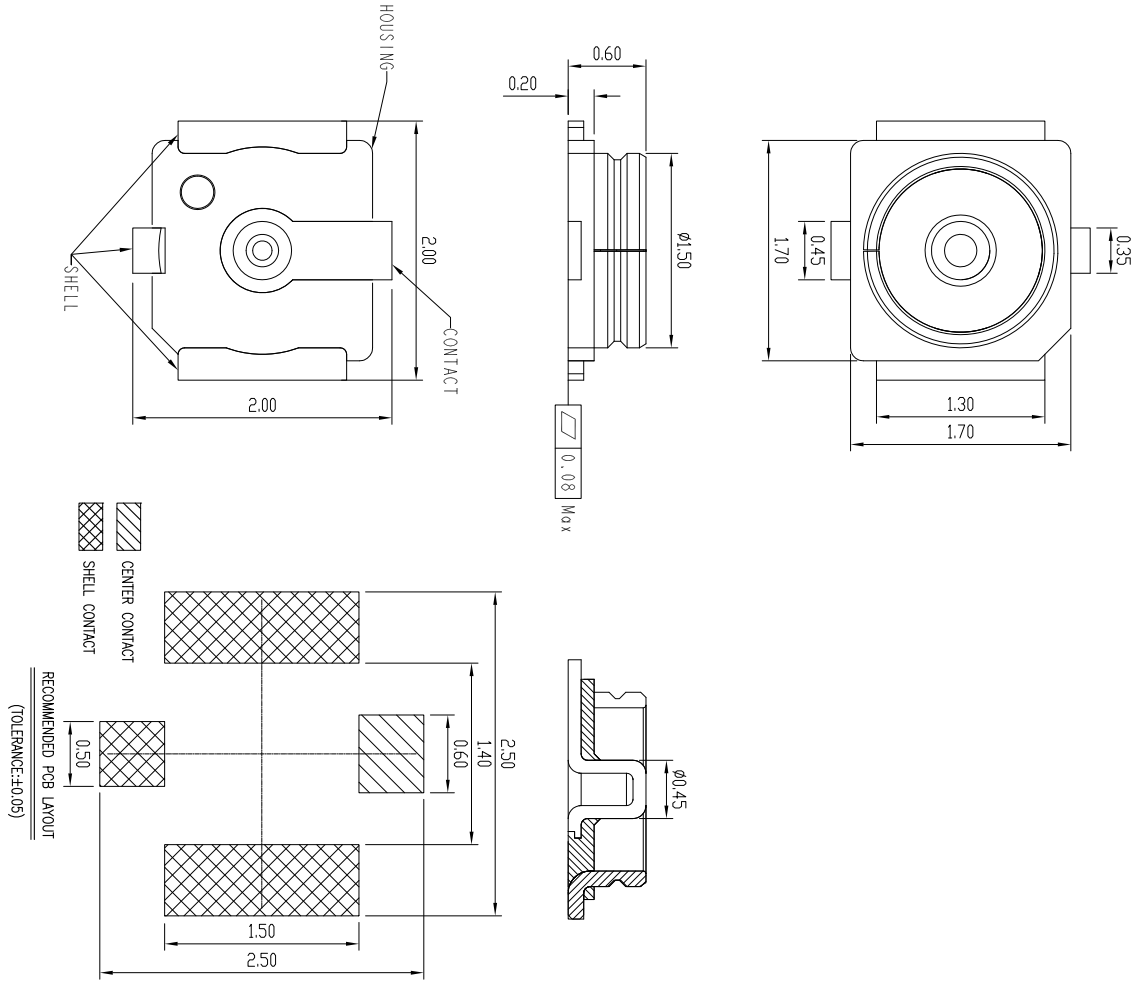
NOTES :

- 1.0. RATING :
 - 1.1. VOLTAGE :60 VAC (R.M.S.)
 - 1.2. NOMINAL CHARACTERISTIC IMPEDANCE: 50 Ohm
 - 1.3. APPLICABLE FREQUENCY: DC ~ 6GHz
 - 1.4. VSWR: 1.3 MAX. (DC~3GHz), 1.5 MAX. (3~6GHz)
 - 1.5. TEMPERATURE : -40°C TO +85°C
- 2.0. ALL DIMENSIONS SHOULD BE CONTROLLED IN FAI:
- 3.0. MARKED ∇ SHOULD BE CONTROLLED BY QIP.:
- 4.0. MATERIAL SEE BILL OF MATERIAL :

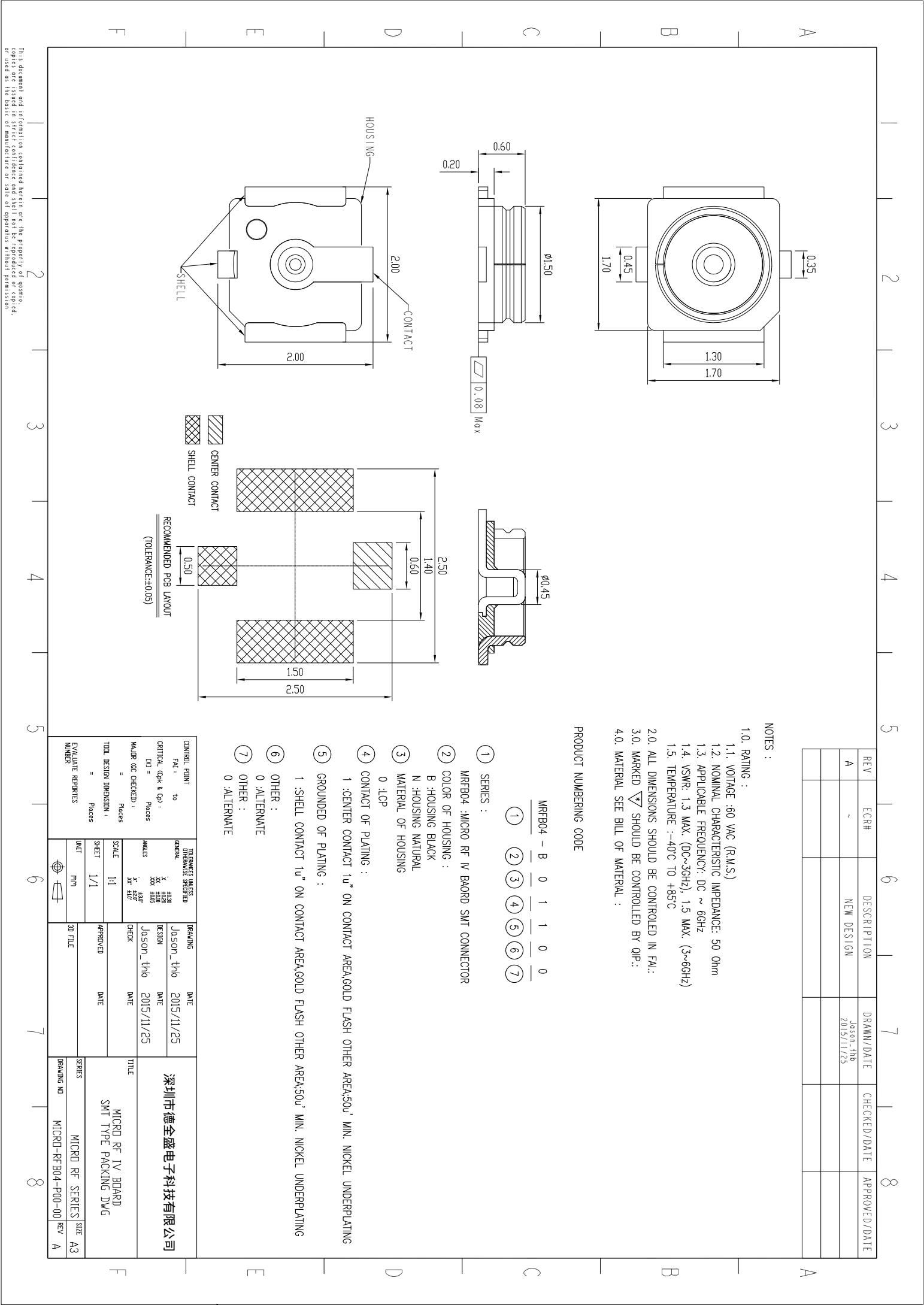
PRODUCT NUMBERING CODE

MRFB04 - B 0 1 1 0 0
 (1) (2) (3) (4) (5) (6) (7)

- ① SERIES : MRFB04 :MICRO RF IV BOARD SMT CONNECTOR
- ② COLOR OF HOUSING : B :HOUSING BLACK
N :HOUSING NATURAL
- ③ MATERIAL OF HOUSING 0 :LCP
- ④ CONTACT OF PLATING : 1 :CENTER CONTACT 1u" ON CONTACT AREA.GOLD FLASH OTHER AREA.50u' MIN. NICKEL UNDERPLATING
- ⑤ GROUNDED OF PLATING : 1 :SHELL CONTACT 1u" ON CONTACT AREA.GOLD FLASH OTHER AREA.50u' MIN. NICKEL UNDERPLATING
- ⑥ OTHER : 0 :ALTERNATE
- ⑦ OTHER : 0 :ALTERNATE



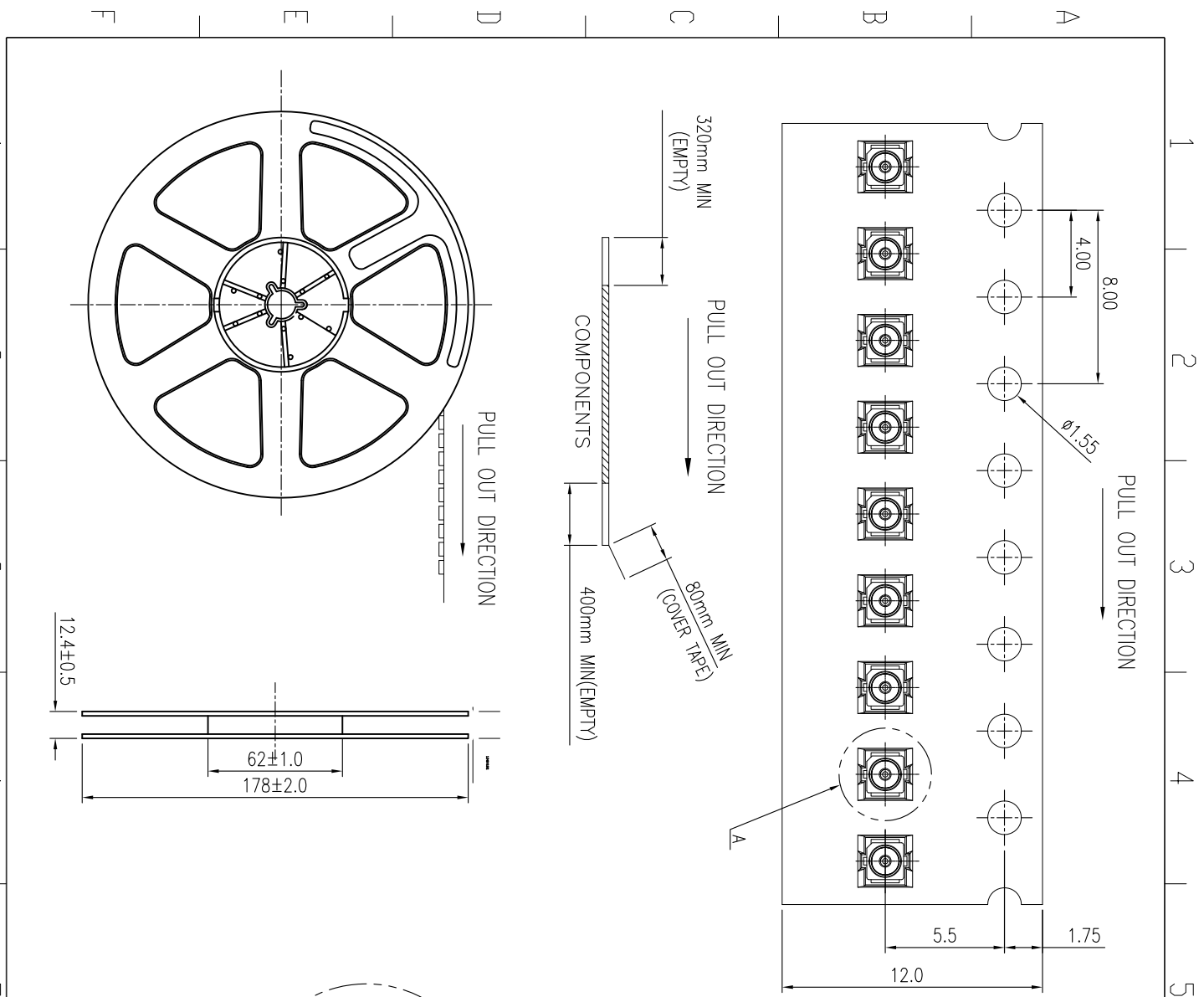
CONTROL POINT		TOLERANCES UNLESS OTHERWISE SPECIFIED		DRAWING		TITLE	
FAIL TO	CRITICAL (Ck & Cp) :	GENERAL	FINISH	DESIGN	DATE	DESIGN	DATE
Placers	DO =	X 4.00	4.00	JOSON_thb	2015/11/25	JOSON_thb	2015/11/25
Placers	MAJOR (QC CHECKED) :	X 0.10	0.10	JOSON_thb	2015/11/25	JOSON_thb	2015/11/25
Placers	TOL. DESIGN DIMENSION :	X 0.05	0.05	CHECK	DATE	CHECK	DATE
Placers	EVALUATE REPAIRS :	X 0.05	0.05	APPROVED	DATE	APPROVED	DATE
Placers		X 0.05	0.05	3D FILE		3D FILE	



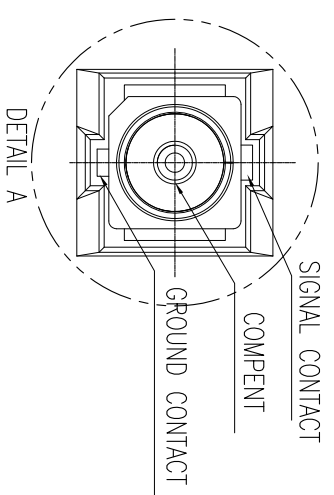
REV	ECR#	DESCRIPTION	DRAWN/DATE	CHECKED/DATE	APPROVED/DATE
A	~	NEW DESIGN	Jason_Thb 2013/05/15		

NOTES:

- MATERIAL :
 - EMBOSSSED CARRIER: PET
 - COVER TAPE: PET
 - SHIPPING CARTON: CORRUGATED FIBER
- DIMENSION :
 - REEL: W=12.4
 - SHIPPING CARTON: L=190, W=190, H=190
 - QUANTITY :
 - PRIMARY PACKING: 3,000PCS/REEL
 - SECONDARY PACKING: 10REELS/CARTON(30,000PCS)
 - WEIGHT :
 - NET WEIGHT: 0.012KG/REEL, 0.12KG/CARTON.
 - GROSS WEIGHT: 0.77KG/REEL, 1.03KG/CARTON.
 - PEELING RESISTANCE: 10gf~130gf.
 - PART NUMBER DESCRIPTION:




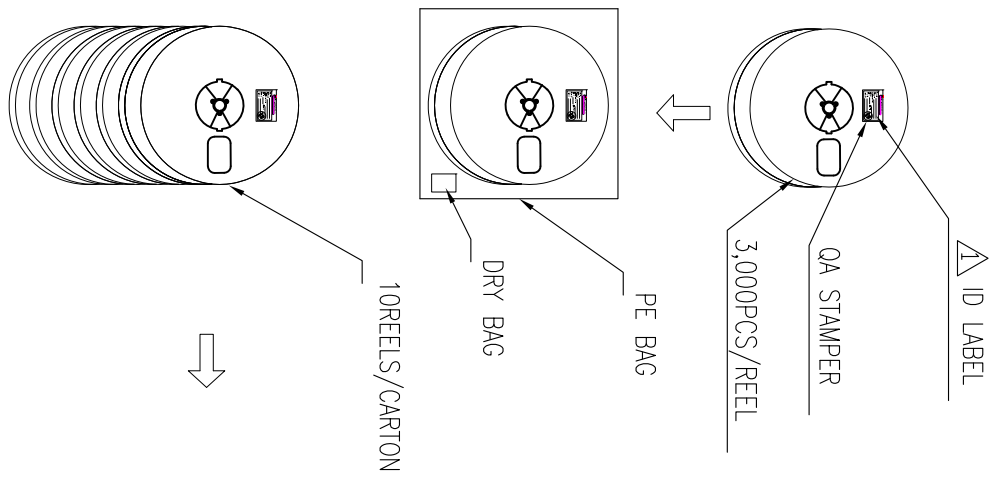
PART NO.	DESCRIPTION
MRFB04-B01100	GROUND CONTACT GOLD PLATING



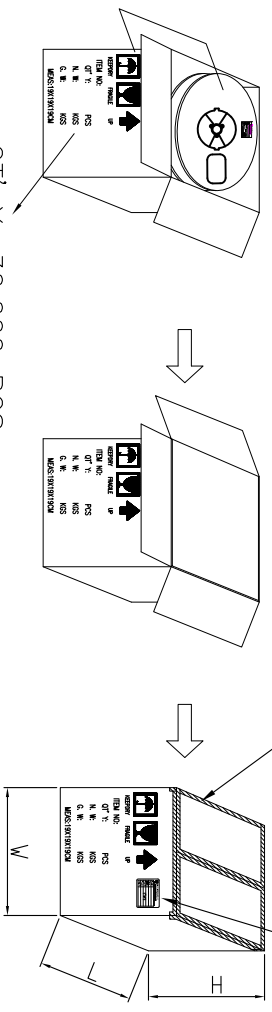
CONTROL POINT		DRAWING		DATE	
FAIL :	to	JOSON_Thb	2015/11/25		
CRITICAL (Cpk & Cp) :		DESIGN	DATE		
DX :	Places	JOSON_Thb	2015/11/25		
MAJOR (QC CHECKED) :		CHECK	DATE		
▼ =	Places				
TOTAL DESIGN DIMENSION :		SCALE	N/A		
[DIM]	Places	SHEET	1/2		
EVALUATE REPEATS NUMBER		UNIT	MM		
		3D FILE			
		APPROVED			
		DATE			
		TITLE	MICRO RF IV BOARD SMT TYPE PACKING DWG		
		SERIES	MICRO RF SERIES		
		DRAWING NO	MICRO-RF-B04-P00-00		
		SIZE	A3		
		REV	A		

This document and information contained herein are the property of Longquan Chips and are issued in strict confidence and shall not be reproduced or copied, in whole or in part, without the written permission of Longquan Chips. All rights reserved.

 东莞市久轩电子科技有限公司 Dongguan Juchuan Electronics Technology Co., Ltd.	
品名 NAME:	_____
料號 PART No:	_____
客戶料號 CUSTOMER PART No:	_____
數量 QTY:	_____
重量 WEIGHT:	_____
批次 LOT No:	_____
日期 DATE:	_____



QTY: 30,000 PCS
 N.W: 0.077 KGS
 G.W: 1.033 KGS
 MEAS: 19X19X19CM



CONTROL POINT		DRAWING		SERIES	
FAIL:	to	DESIGN	DATE	DRAWING NO	SIZE
CRITICAL (Cpk & Cp):	Placers	J050N_thb	2015/11/25	MICRO-RF-B04-P00-00	A3
DO =	Placers	DESIGN	DATE		
MAJOR (QC CHECKED):	Placers	J050N_thb	2015/11/25		
▼ =	Placers	CHECK	DATE		
TOL. DESIGN DIMENSION:	Placers	APPROVED	DATE		
EVALUATE REPEATS NUMBER	Placers				
NUMBER					
TECHNICAL SPECIFICATIONS		APPROVED		TITLE	
GENERAL:	SCALE	DATE		MICRO RF IV BOARD	
XX	N/A			SMT TYPE PACKING DWG	
XXX	2/2				
XX	MM				
UNIT					

This document and information contained herein are the property of Longquan. Copies are issued in strict confidence and shall not be reproduced or copied, in whole or in part, without the written permission of the manufacturer or sales representative.